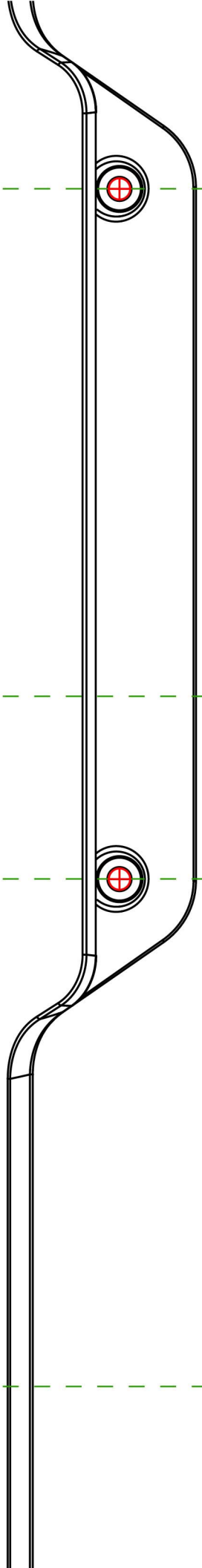


### vertical array

You can use 2 or more ZIGZAG units for this array  
Print the next page to use as a template and mark the holes in the wall.

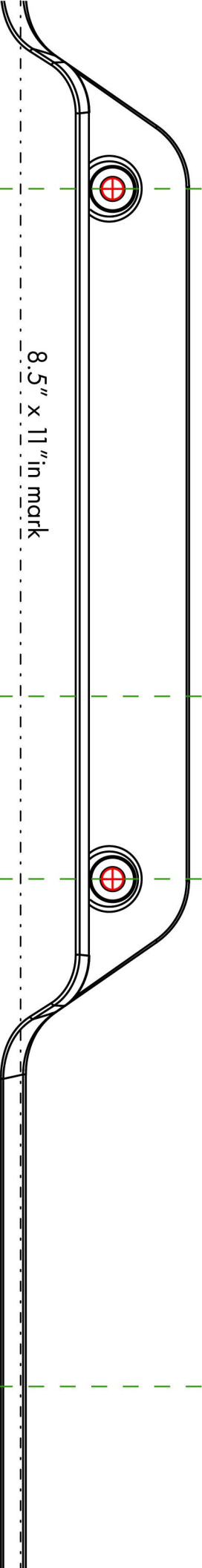
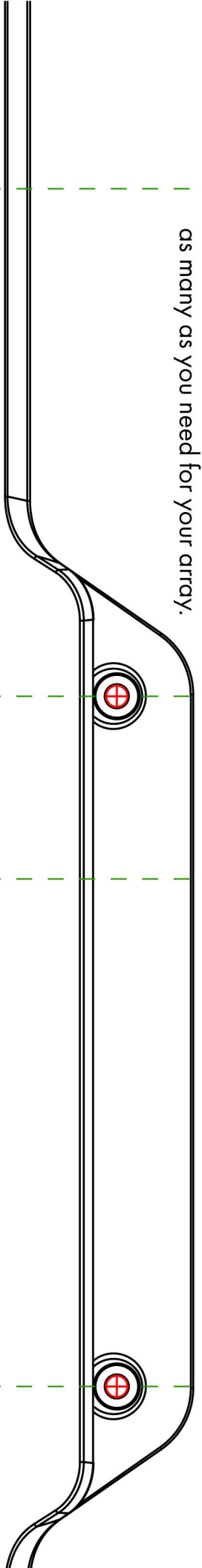




vertical array template

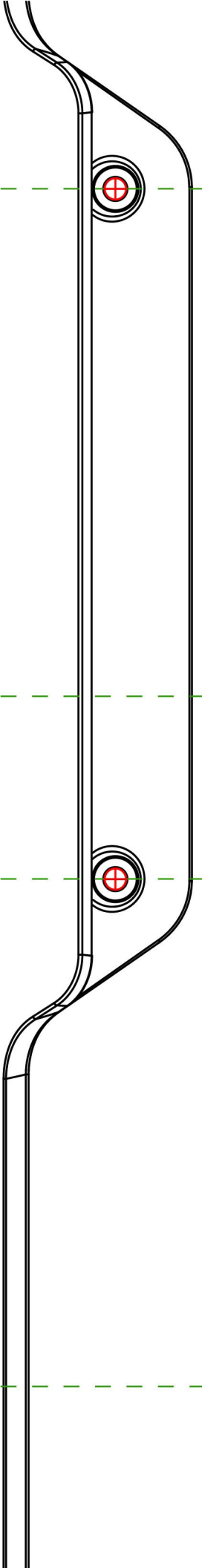
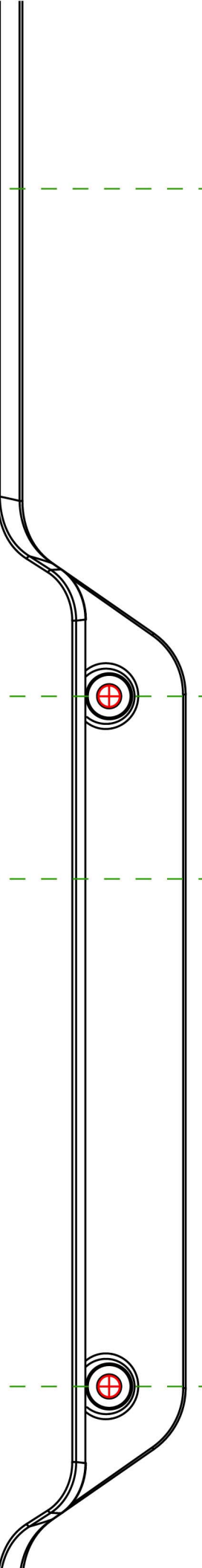
Print this page to use as a template and mark the holes in the wall using the red targets. Print the page in an 11"x17" in paper or two 8.5"x11" in papers. Print as many as you need for your array.

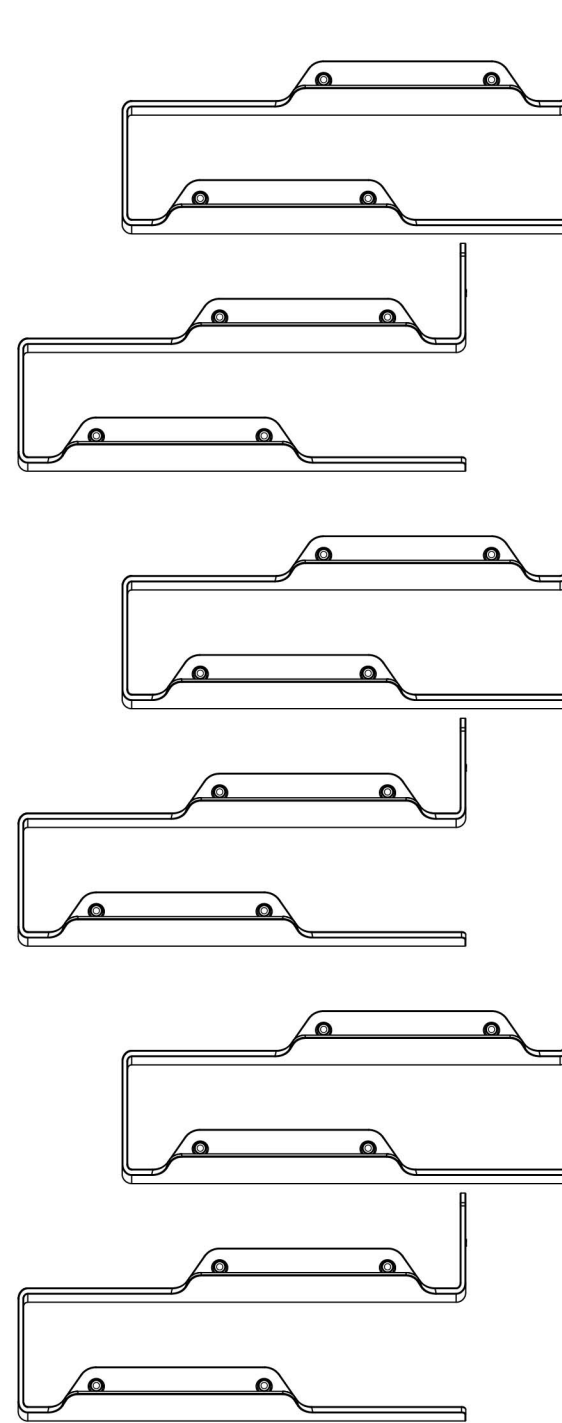
Print page as "Actual Size"  
do not scale or fit to page.



8.5" x 11" in mark

amazua®

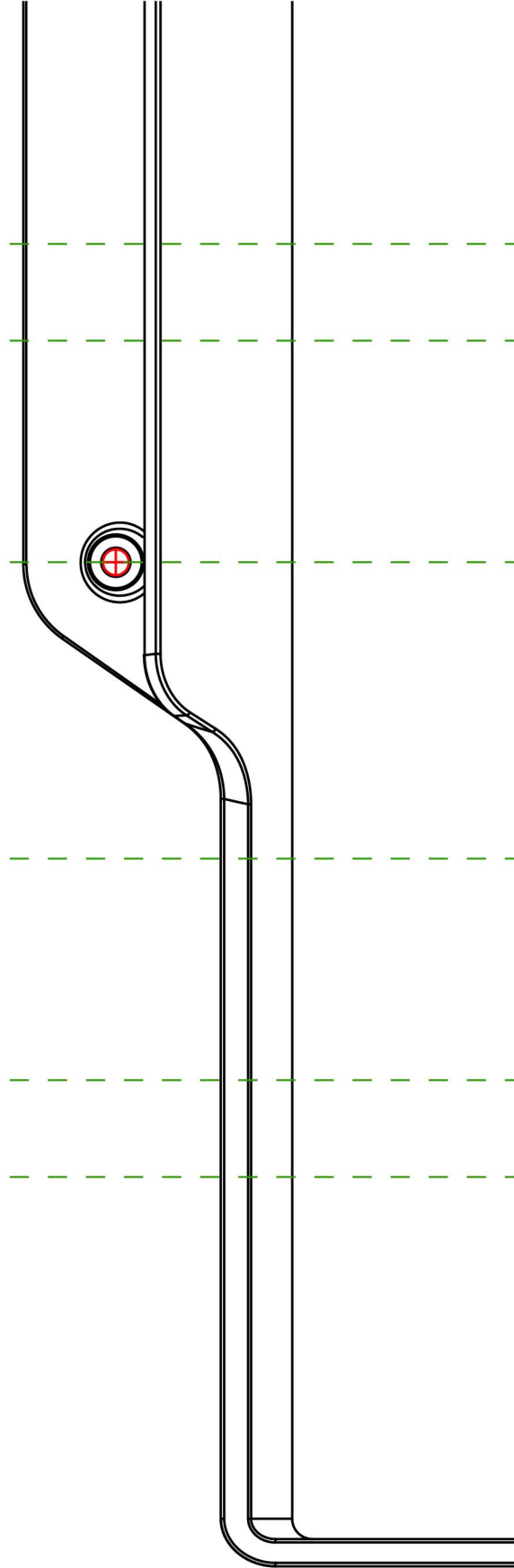
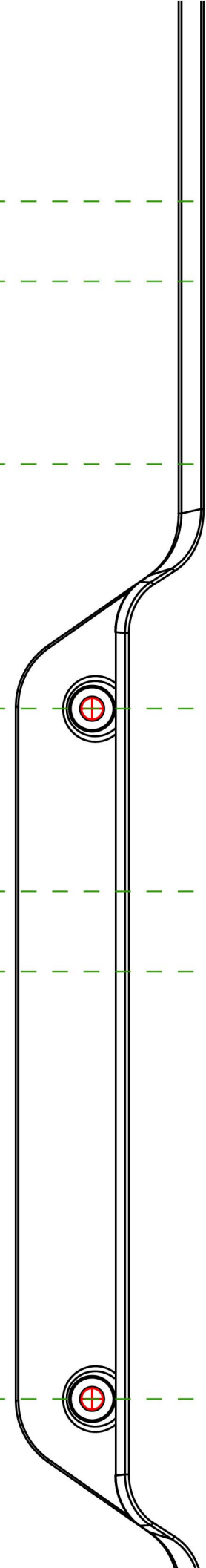
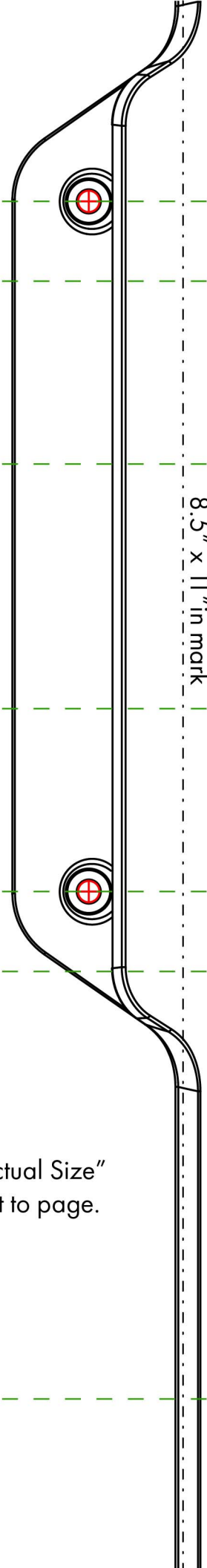
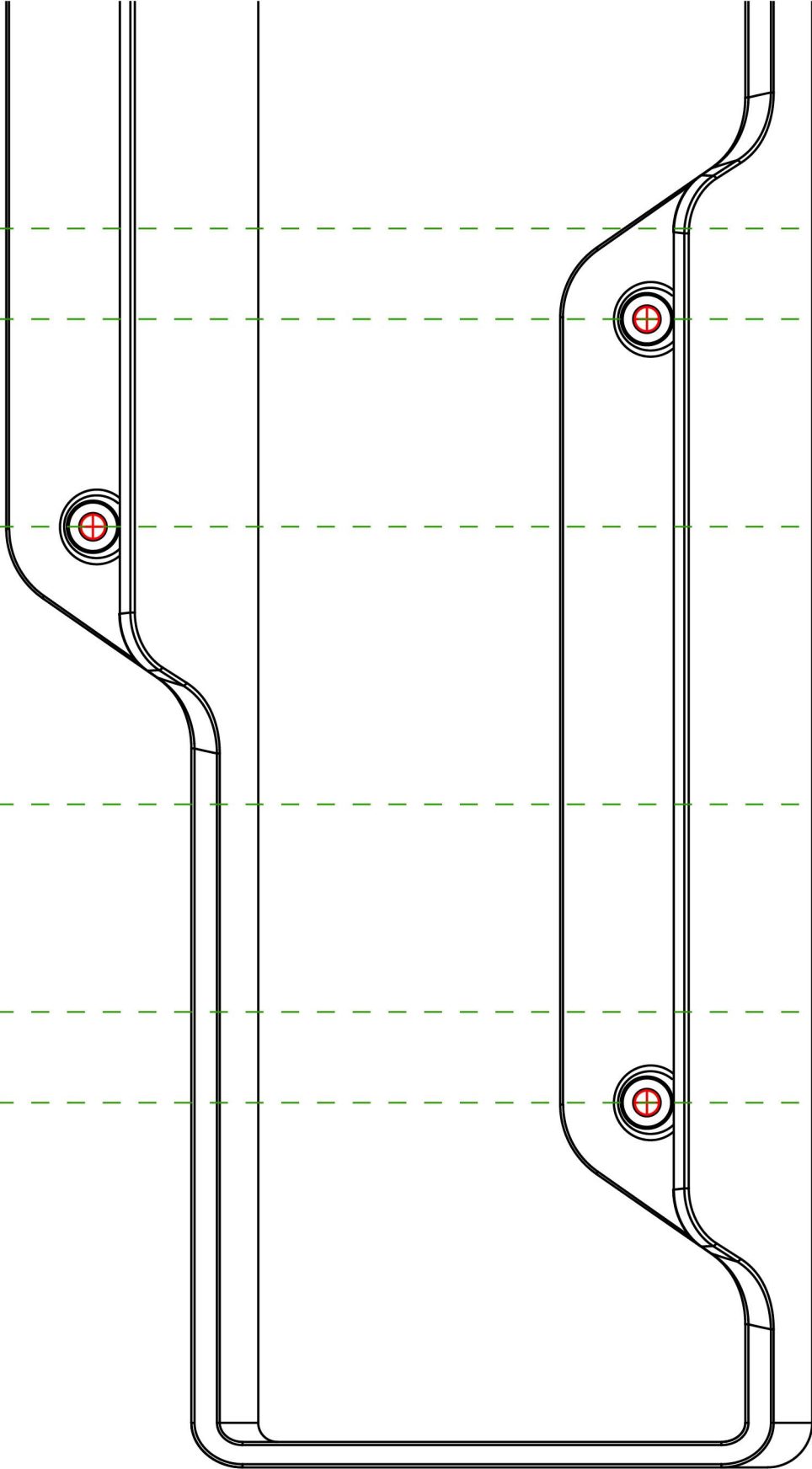




### vertical zigzag array

You can use 2 or more ZIGZAG units for this array  
Print the next page to use as a template and mark the holes in the wall.



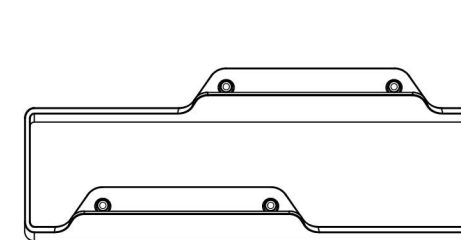
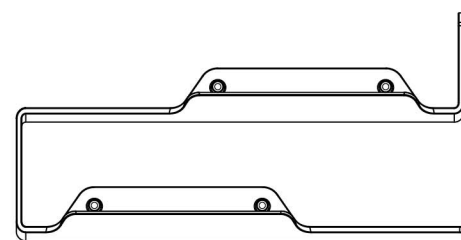
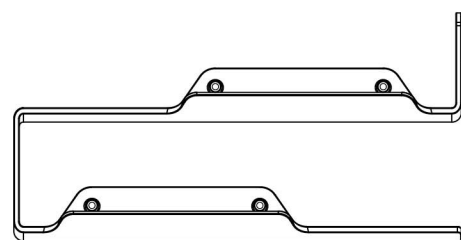
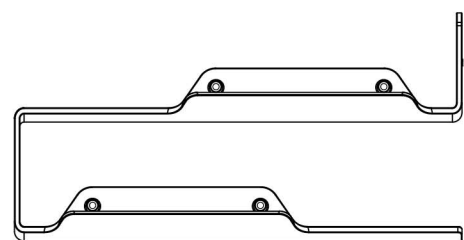


Print page as "Actual Size"  
do not scale or fit to page.

You can space each unit to the  
left or right as much as you want

### vertical zigzag array template

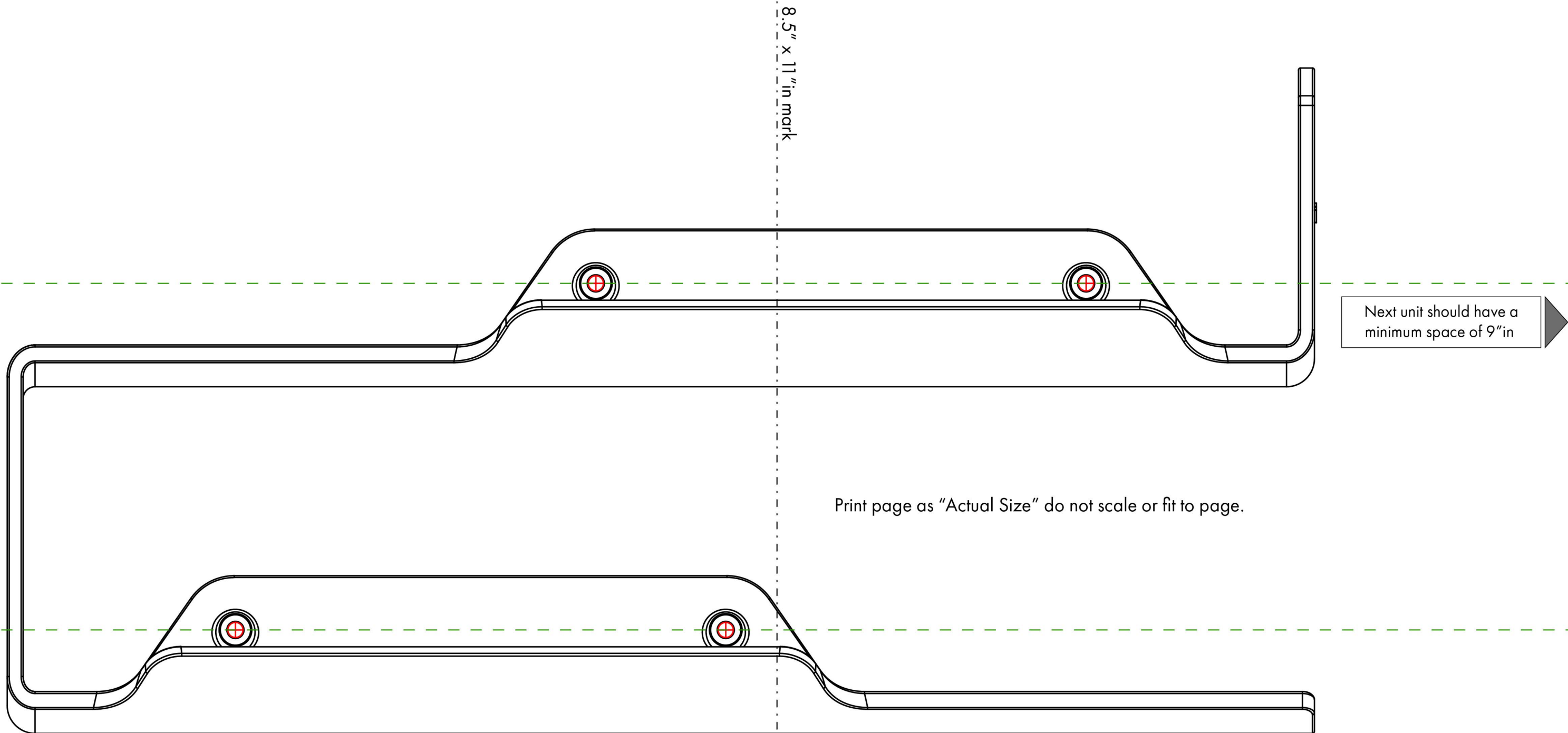
Print this page to use as a template and mark the holes in the wall using the red targets. Print the page in an 11"x17" in paper or two 8.5"x11" in papers. Print as many as you need for your array.



### horizontal array

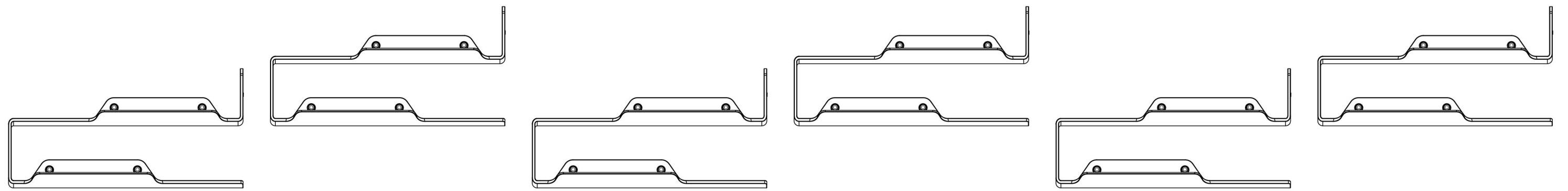
You can use 2 or more ZIGZAG units for this array  
Print the next page to use as a template and mark the holes in the wall.





## horizontal array template

Print this page to use as a template and mark the holes in the wall using the red targets. Print the page in an 11"x17" in paper or two 8.5"x11" in papers. Print as many as you need for your array.



### horizontal zigzag array

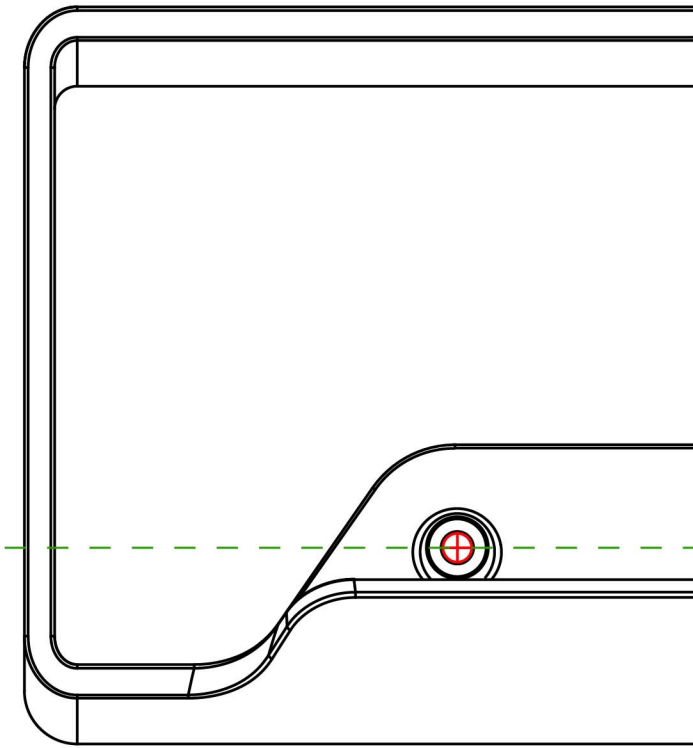
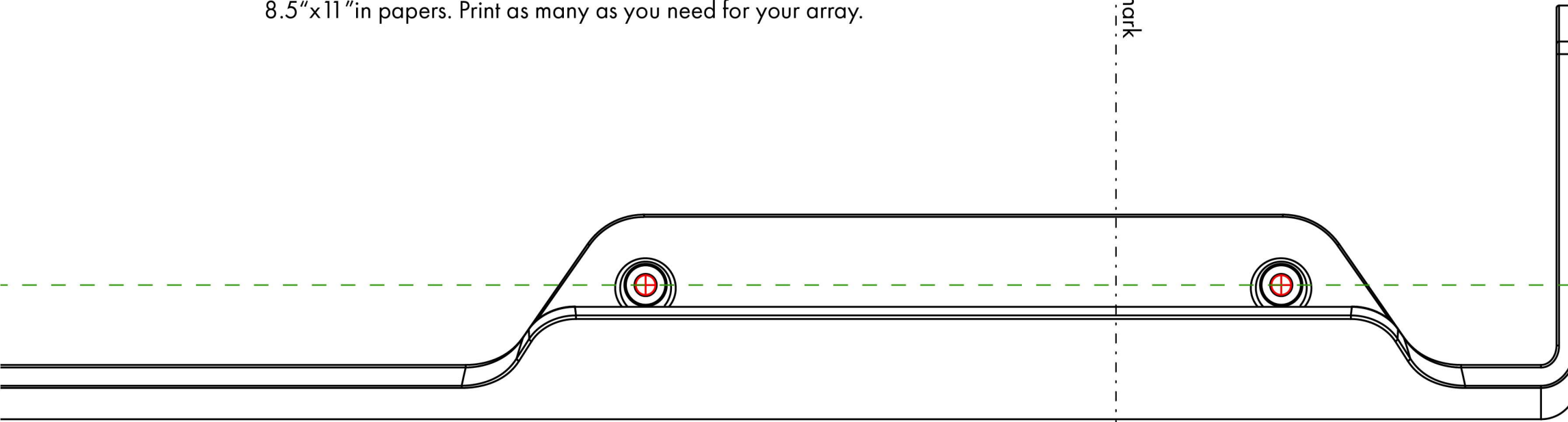
You can use 2 or more ZIGZAG units for this array  
Print the next page to use as a template and mark the holes in the wall.



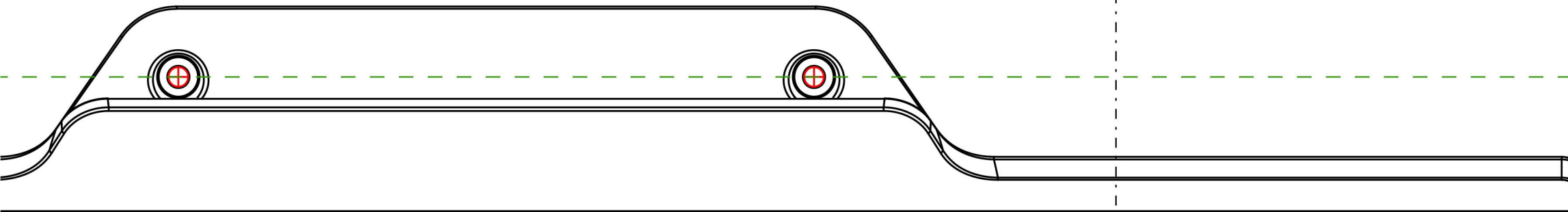
## horizontal zigzag array template

Print this page to use as a template and mark the holes in the wall using the red targets. Print the page in an 11"x17" in paper or two 8.5"x11" in papers. Print as many as you need for your array.

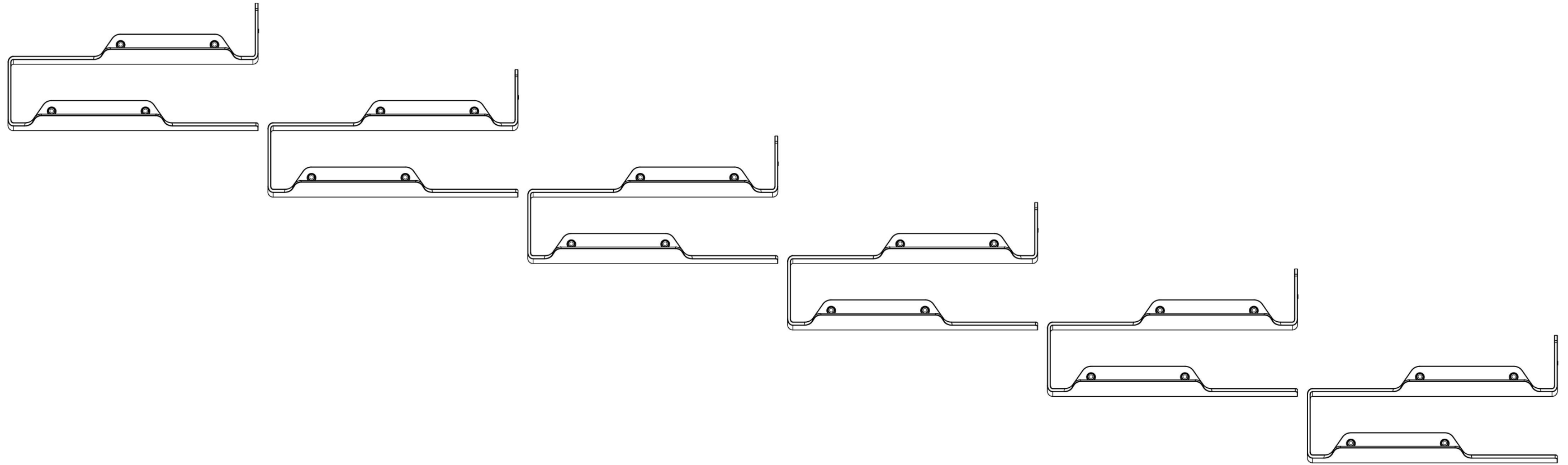
8.5" x 11" in mark



Print page as "Actual Size" do not scale or fit to page.







### 15° downward array

You can use 2 or more ZIGZAG units for this array  
Print the next page to use as a template and mark the holes in the wall.

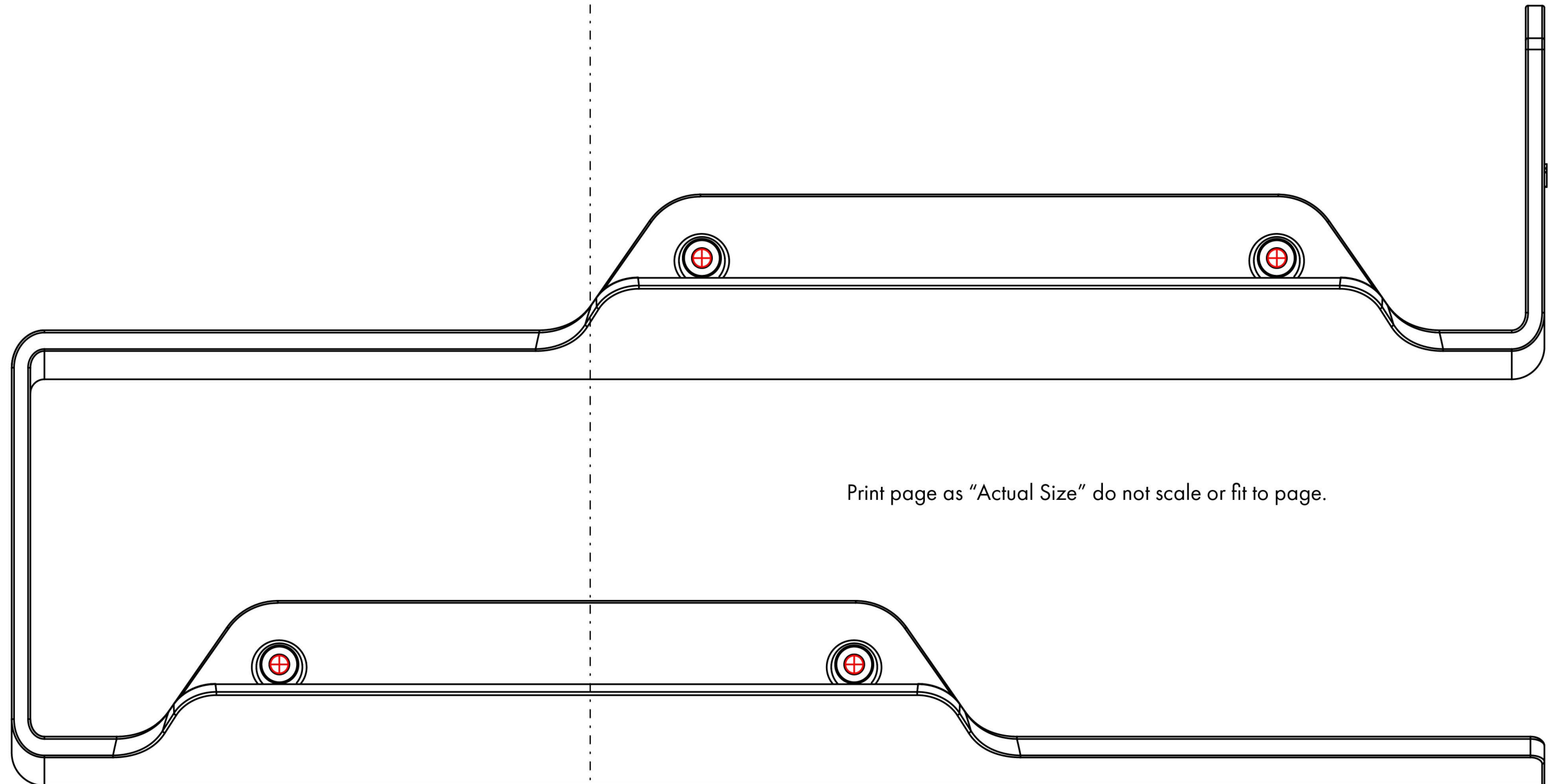
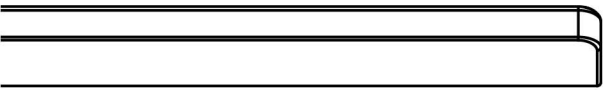
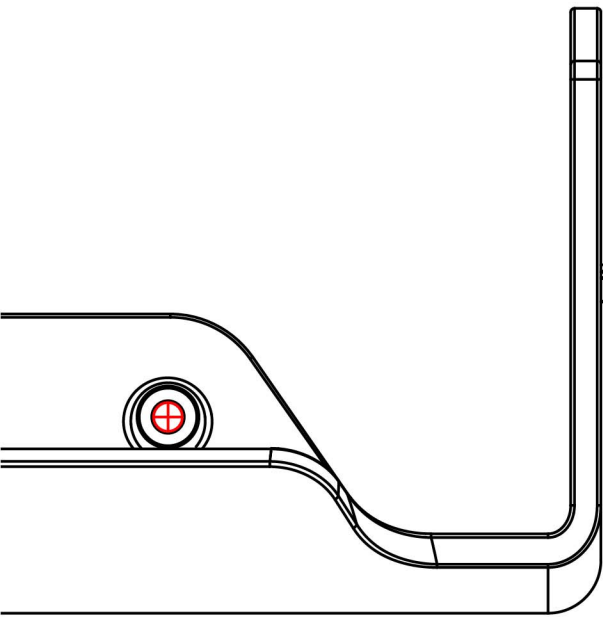




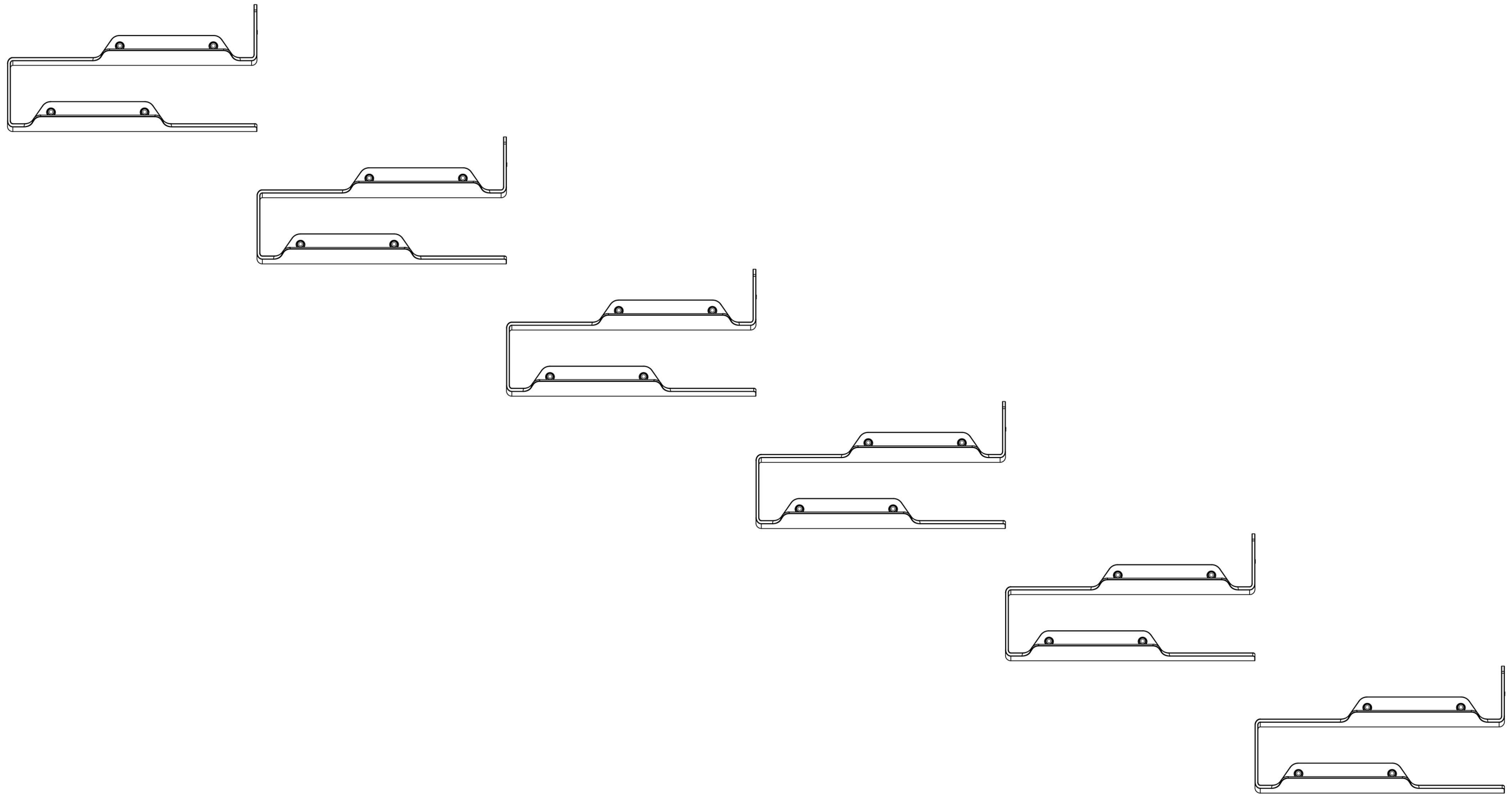
### 15° downward array template

Print this page to use as a template and mark the holes in the wall using the red targets. Print the page in an 11" x 17" in paper or two 8.5" x 11" in papers. Print as many as you need for your array.

8.5" x 11" in mark



Print page as "Actual Size" do not scale or fit to page.



### 30° downward array

You can use 2 or more ZIGZAG units for this array  
Print the next page to use as a template and mark the holes in the wall.

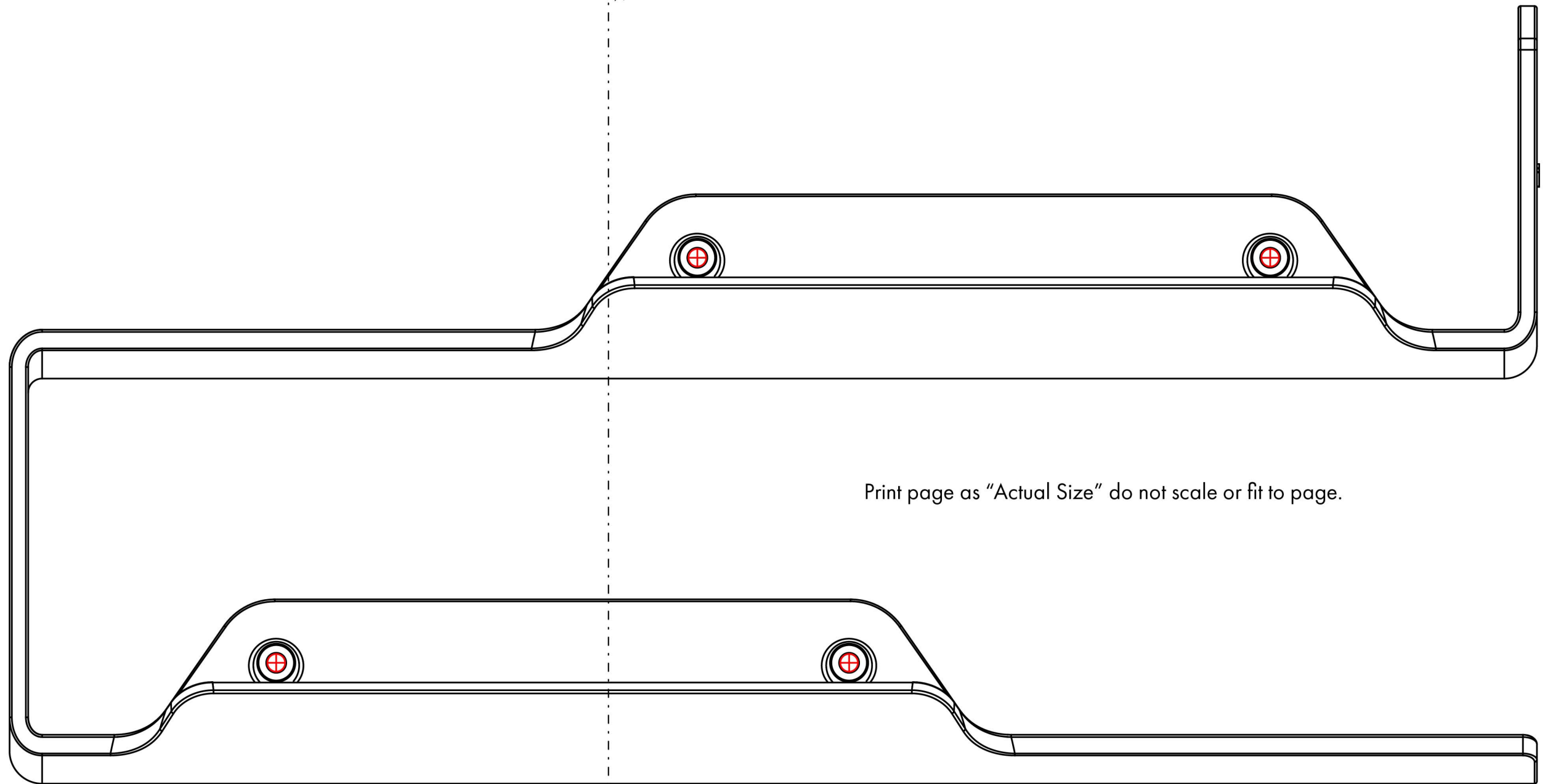




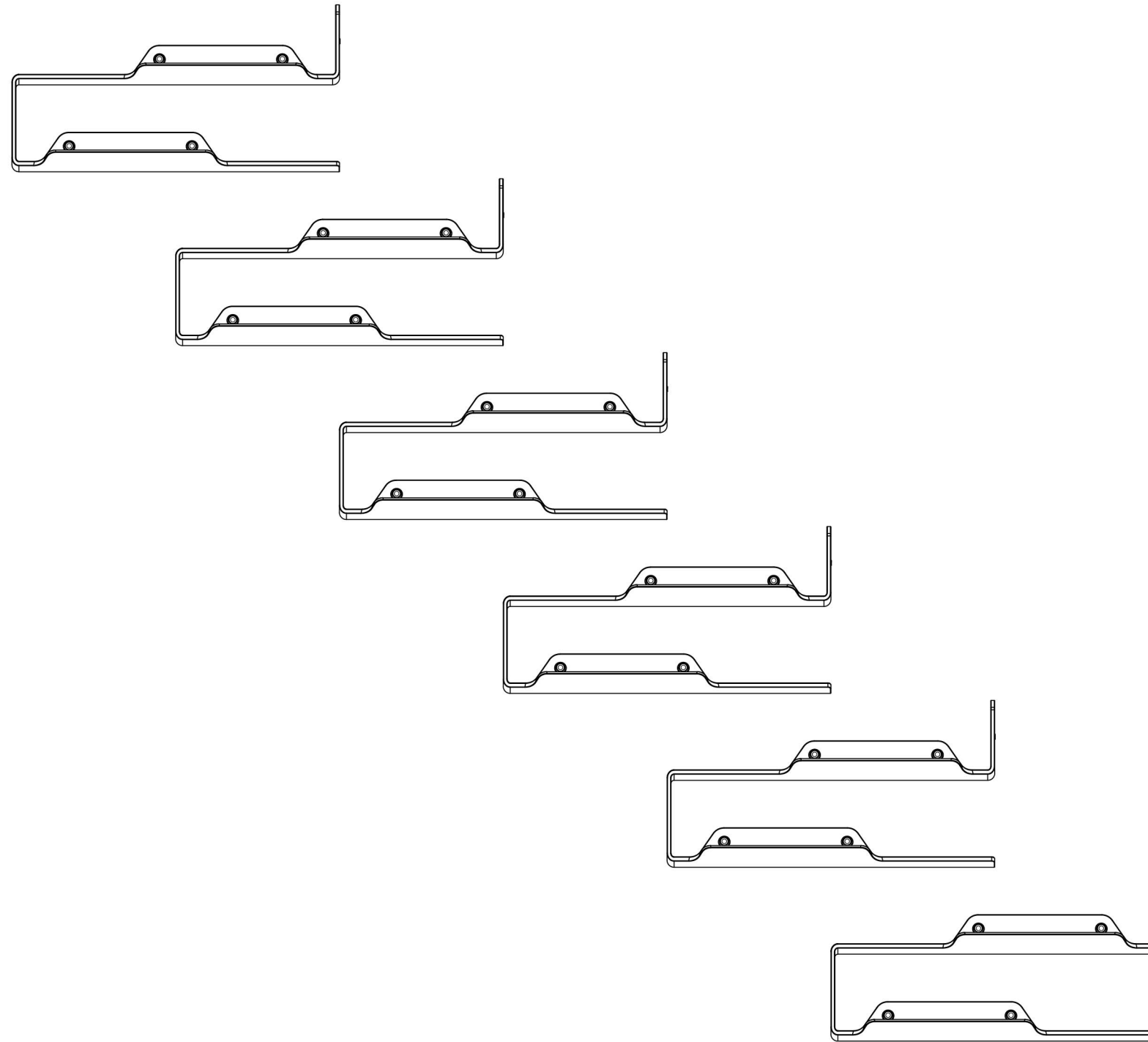
### 30° downward array template

Print this page to use as a template and mark the holes in the wall using the red targets. Print the page in an 11"x17" in paper or two 8.5"x11" in papers. Print as many as you need for your array.

8.5" x 11" in mark

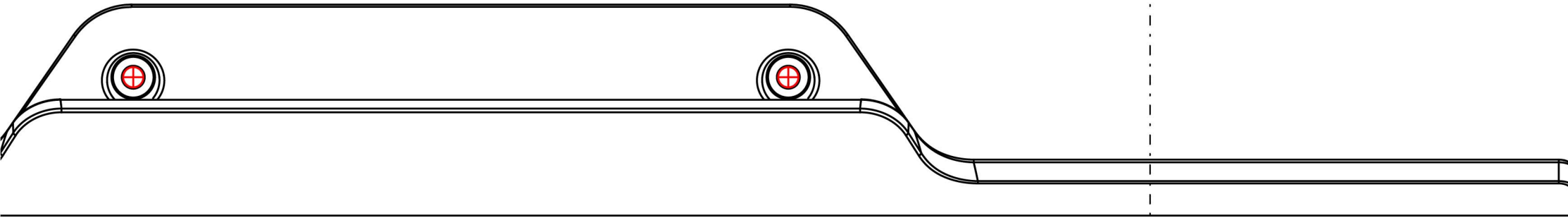


Print page as "Actual Size" do not scale or fit to page.



### 45° downward array

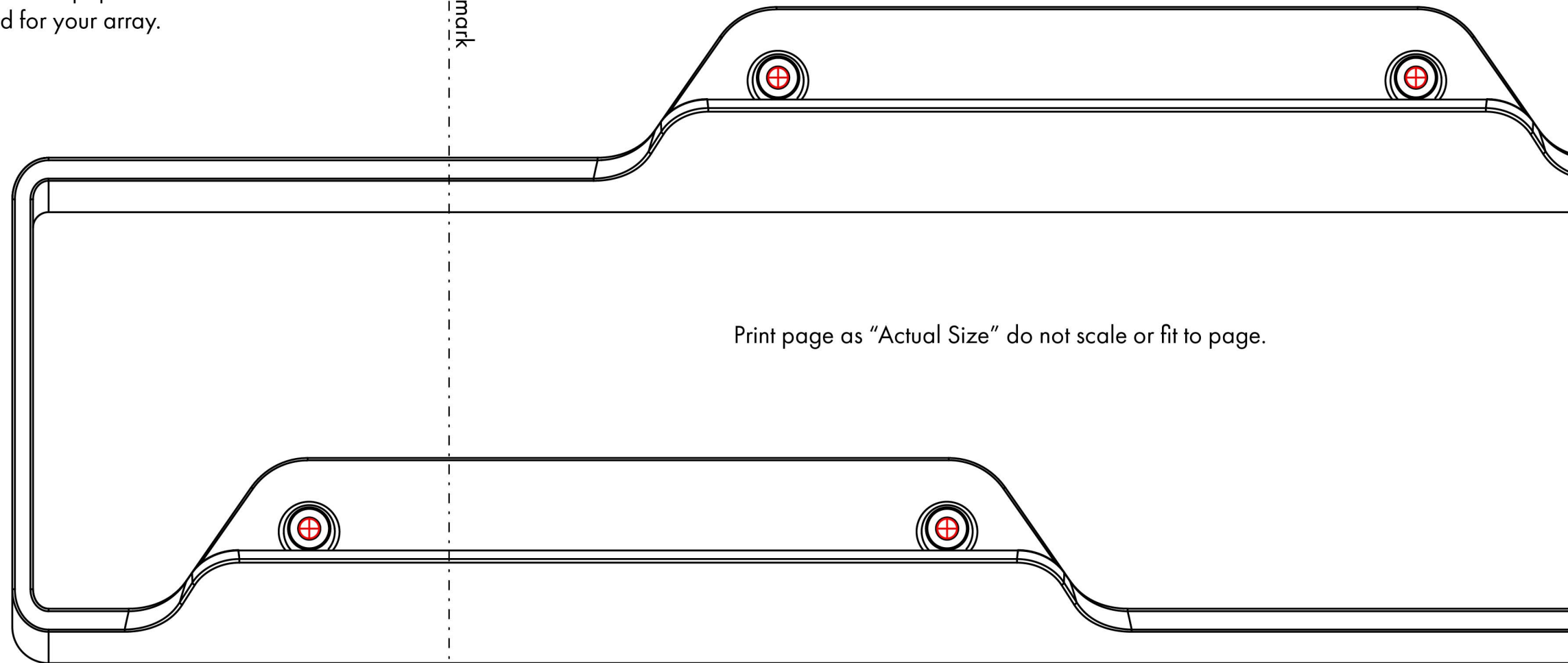
You can use 2 or more ZIGZAG units for this array  
Print the next page to use as a template and mark the holes in the wall.



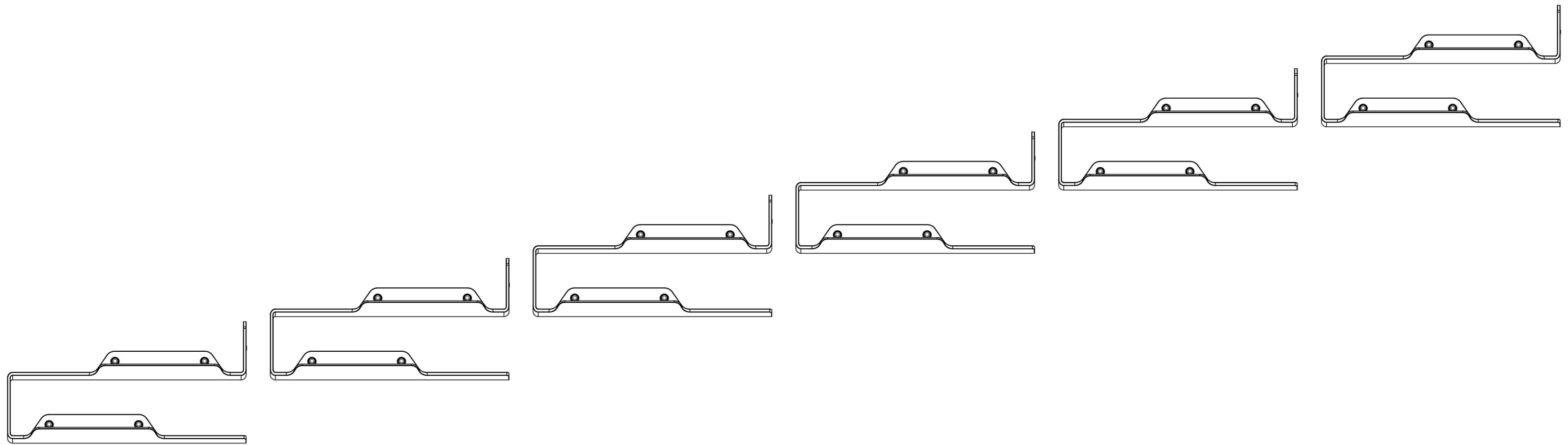
### 45° downward array template

Print this page to use as a template and mark the holes in the wall using the red targets. Print the page in an 11"x17" in paper or two 8.5"x11" in papers. Print as many as you need for your array.

8.5" x 11" in mark



Print page as "Actual Size" do not scale or fit to page.



### 15° upward array

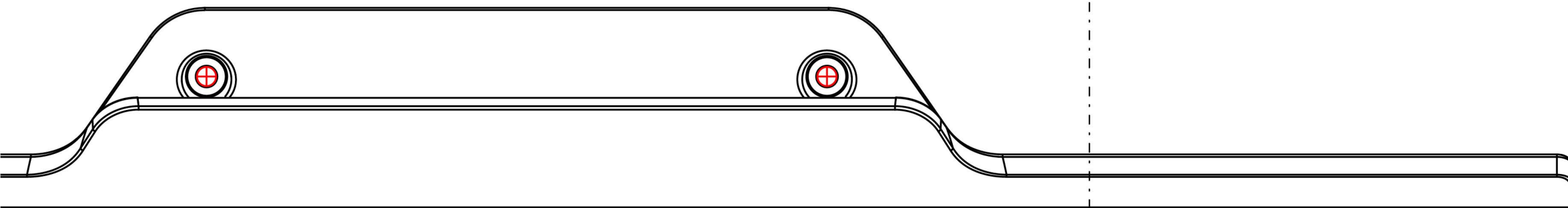
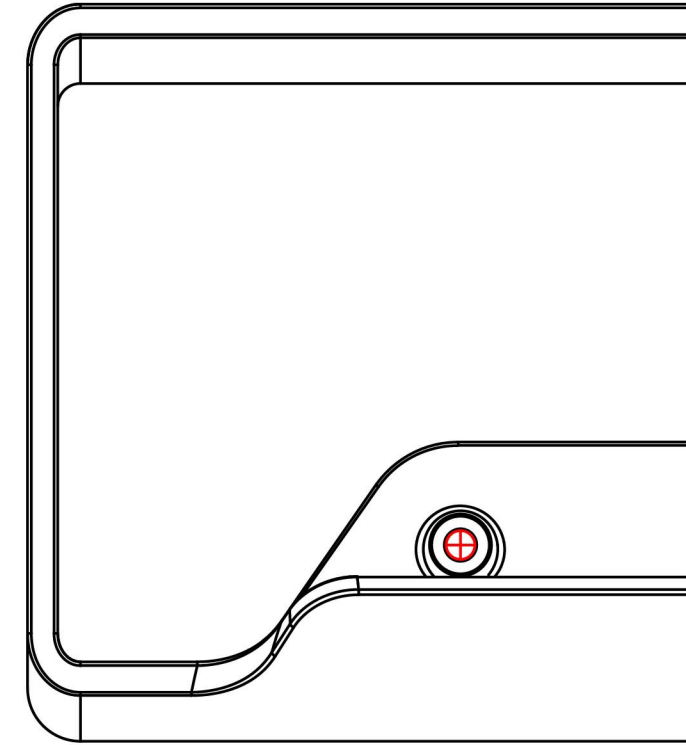
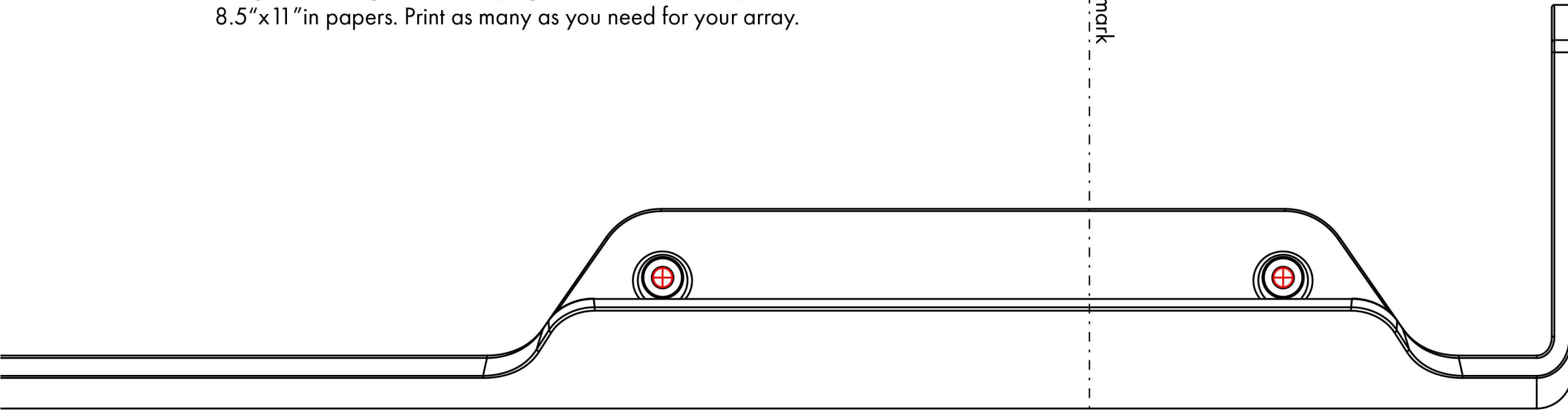
You can use 2 or more ZIGZAG units for this array  
Print the next page to use as a template and mark the holes in the wall.



# 15° upward array template

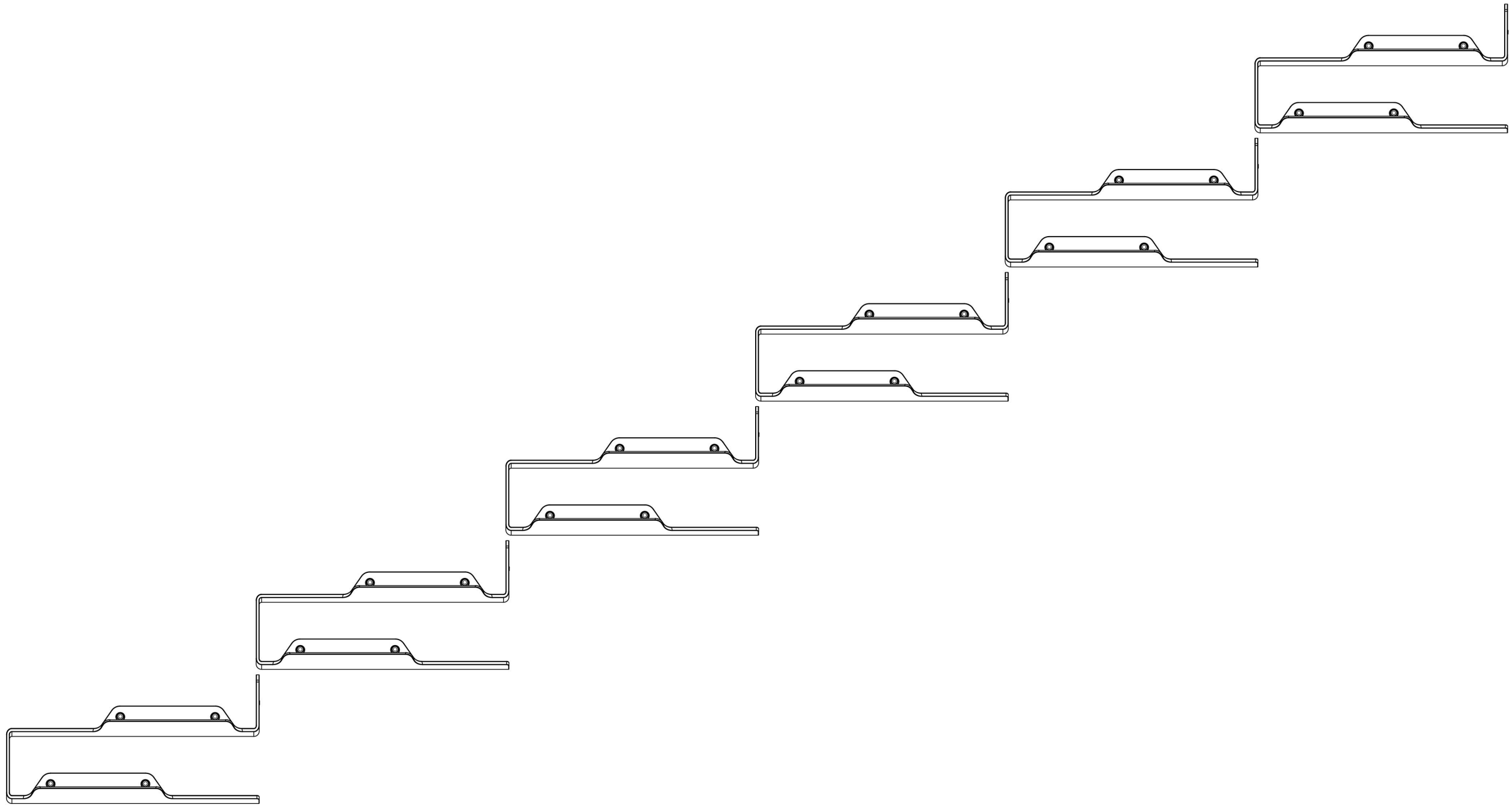
Print this page to use as a template and mark the holes in the wall using the red targets. Print the page in an 11"x17" in paper or two 8.5"x11" in papers. Print as many as you need for your array.

8.5" x 11" in mark



Print page as "Actual Size" do not scale or fit to page.





### 30° upward array

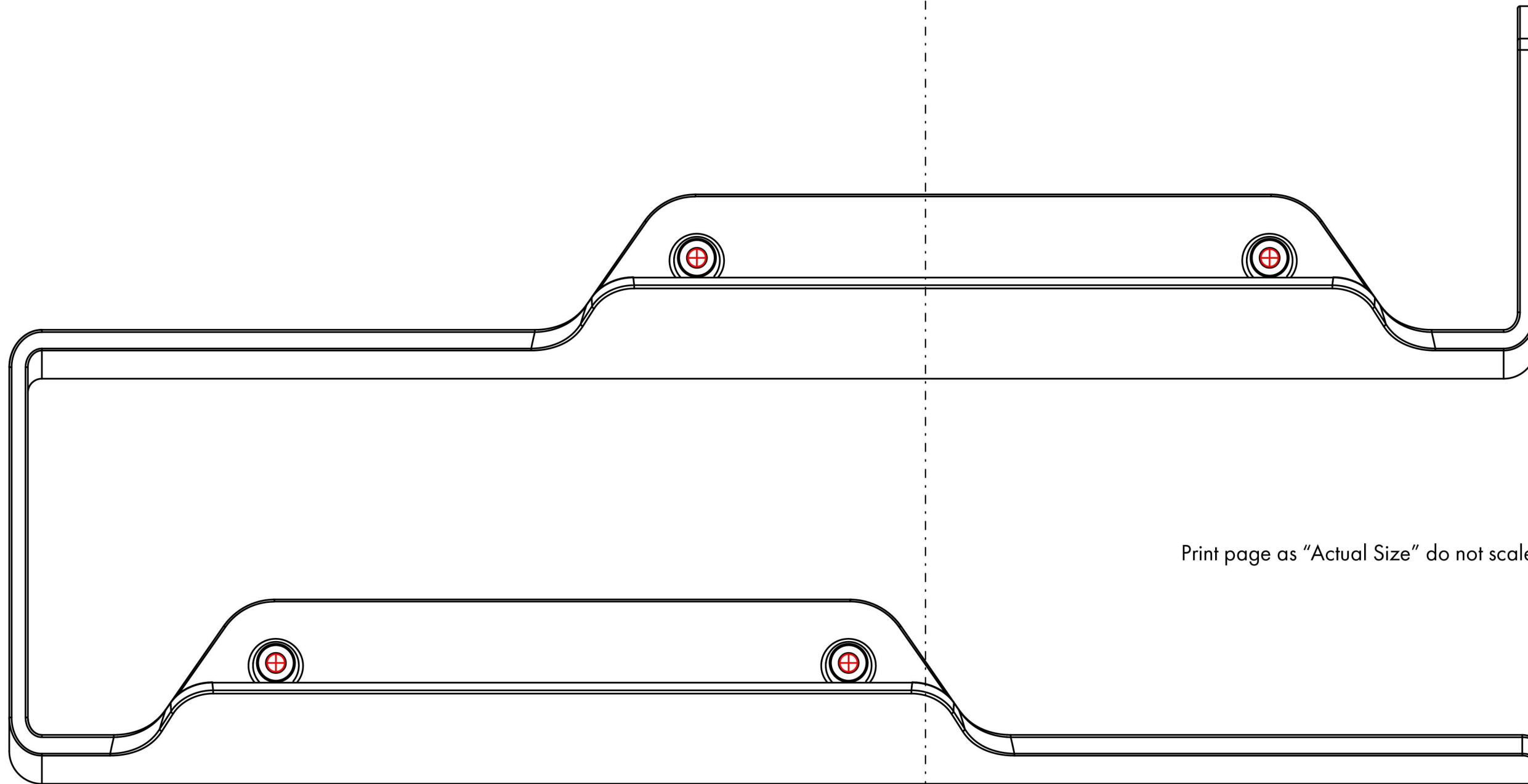
You can use 2 or more ZIGZAG units for this array  
Print the next page to use as a template and mark the holes in the wall.



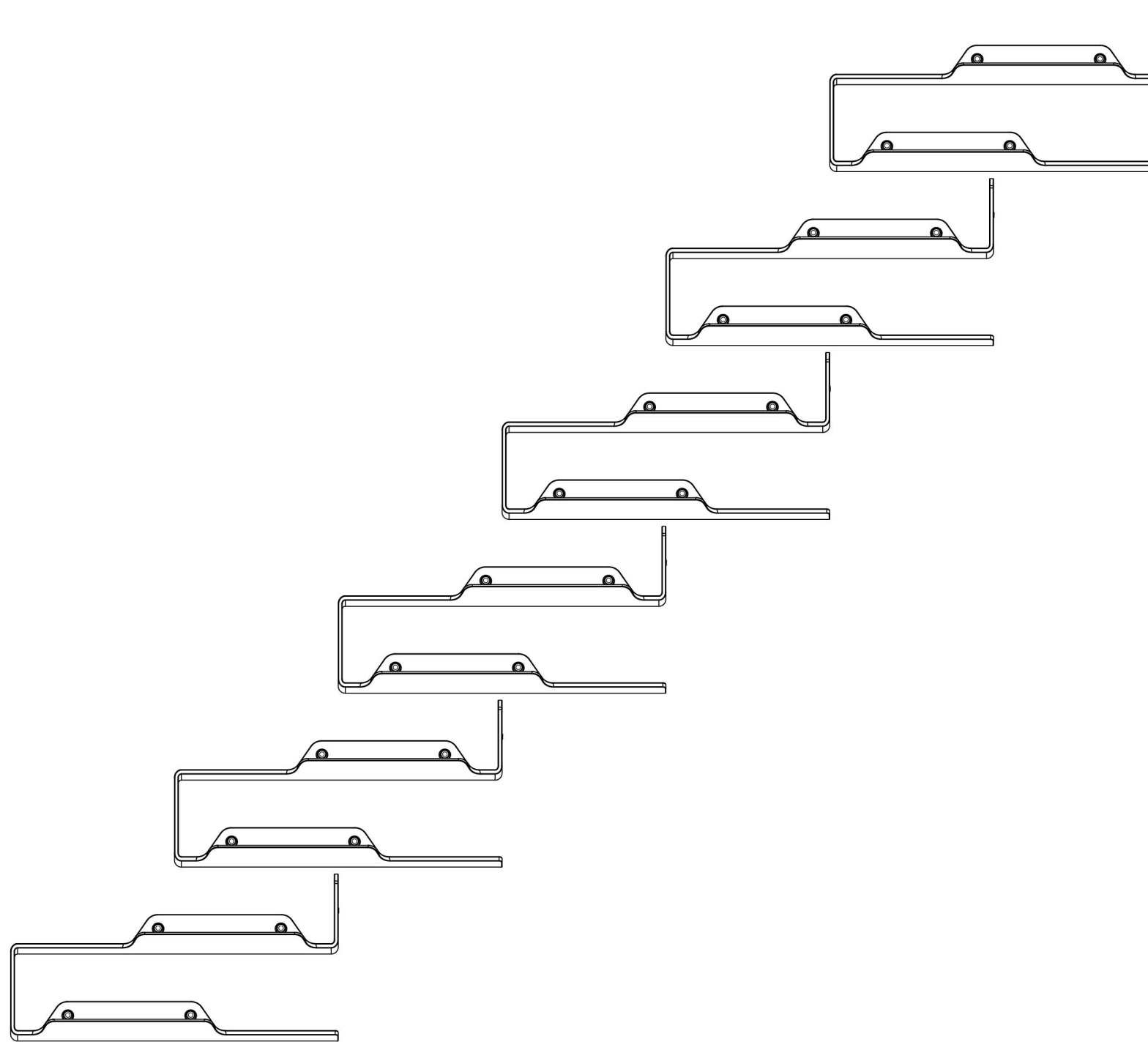
## 30° upward array template

Print this page to use as a template and mark the holes in the wall using the red targets. Print the page in an 11"x17" in paper or two 8.5"x11" in papers. Print as many as you need for your array.

8.5" x 11" in mark



Print page as "Actual Size" do not scale or fit to page.

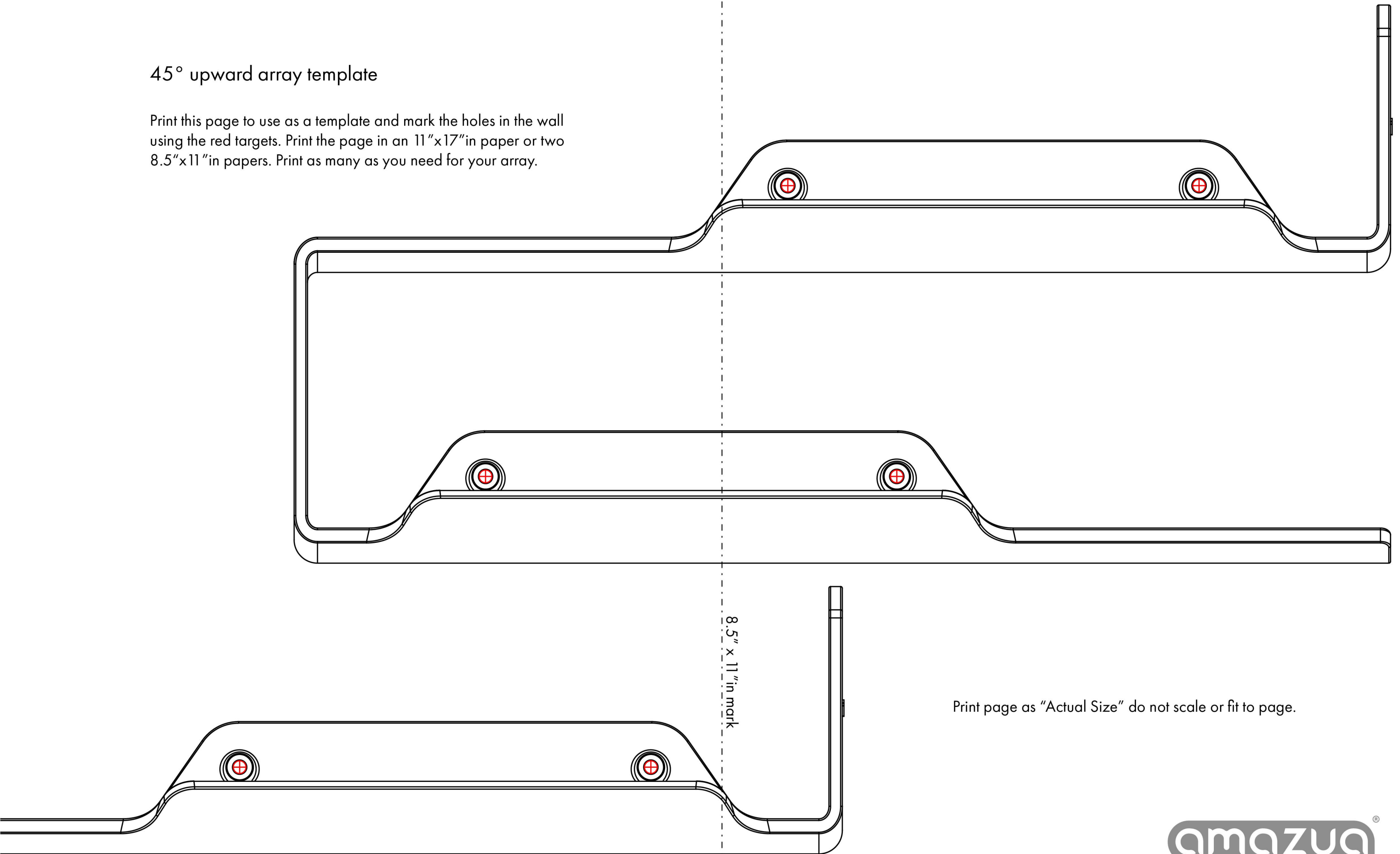


### 45° upward array

You can use 2 or more ZIGZAG units for this array  
Print the next page to use as a template and mark the holes in the wall.

# 45° upward array template

Print this page to use as a template and mark the holes in the wall using the red targets. Print the page in an 11"x17" in paper or two 8.5"x11" in papers. Print as many as you need for your array.



Print page as "Actual Size" do not scale or fit to page.